



Periscopes

From creating quality standard periscopes to producing a product that meets the most stringent military requirements, OSG produces a range of periscopes that enables the user to evaluate the battlefield without leaving the safety of the armored Tank/APC and can cope with the high demands of effective laser protection if needed. OSG's optional protective coatings provide UV-resistance, heat-resistance, and infrared protection as well as an improved field of vision.

Our periscopes meet and exceed the different required Mil-STD's for optical, environmental, chemical and mechanical objectives.

Optical specifications:

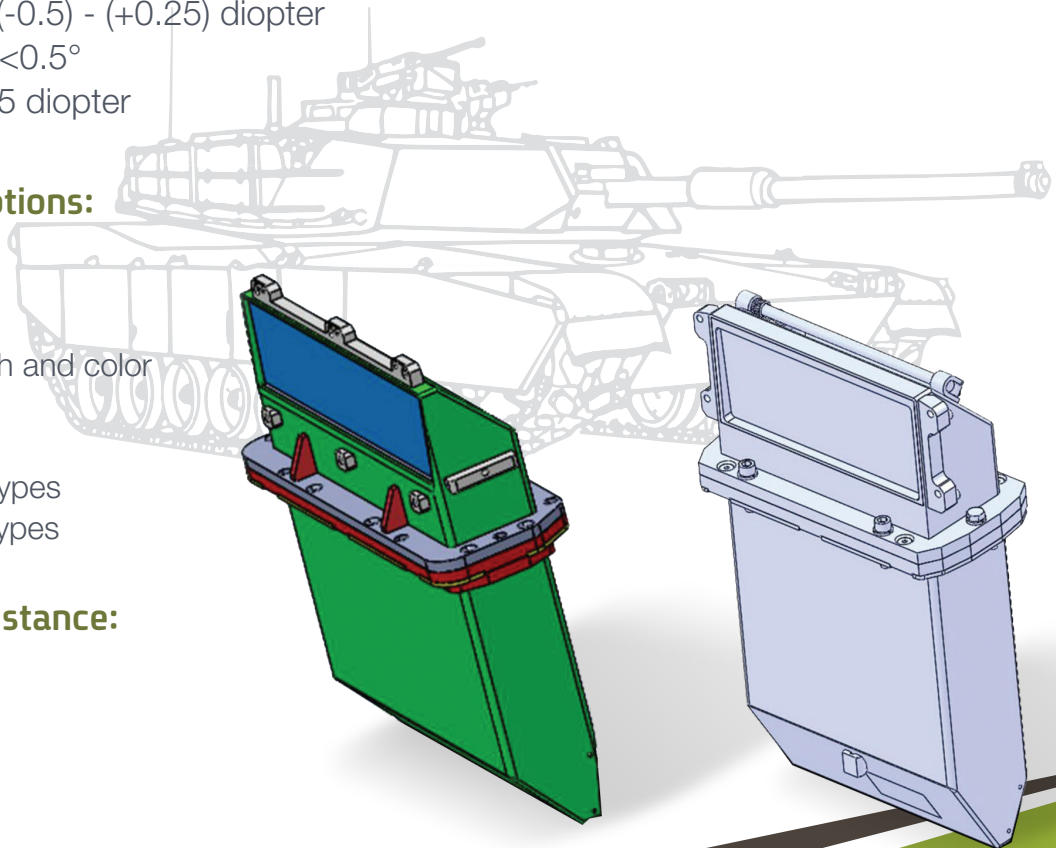
- Resolution: <1 minute of arc
- Spherical Power: (-0.5) - (+0.25) diopter
- Angular deviation <0.5°
- Astigmatism: <0.25 diopter

Accessories and options:

- Airtight seals
- Ballistic protection
- Black-out cover
- Variety of paint finish and color
- Laser protection
- AR protection
- Variety of marking types
- Variety of packing types

Environmental resistance:

- Temperatures
- Humidity
- UV resistance
- Salt fog
- Vibration
- Shock
- Chemicals resistivity
- Fungus



OSG Inc.

48 Industrial Parkway, Emporia, VA 23847
Tel: (434)-336-1620 Fax (434)-336-1620
Email: armor-sales@osg-armor.com
Website: www.osg-na.com